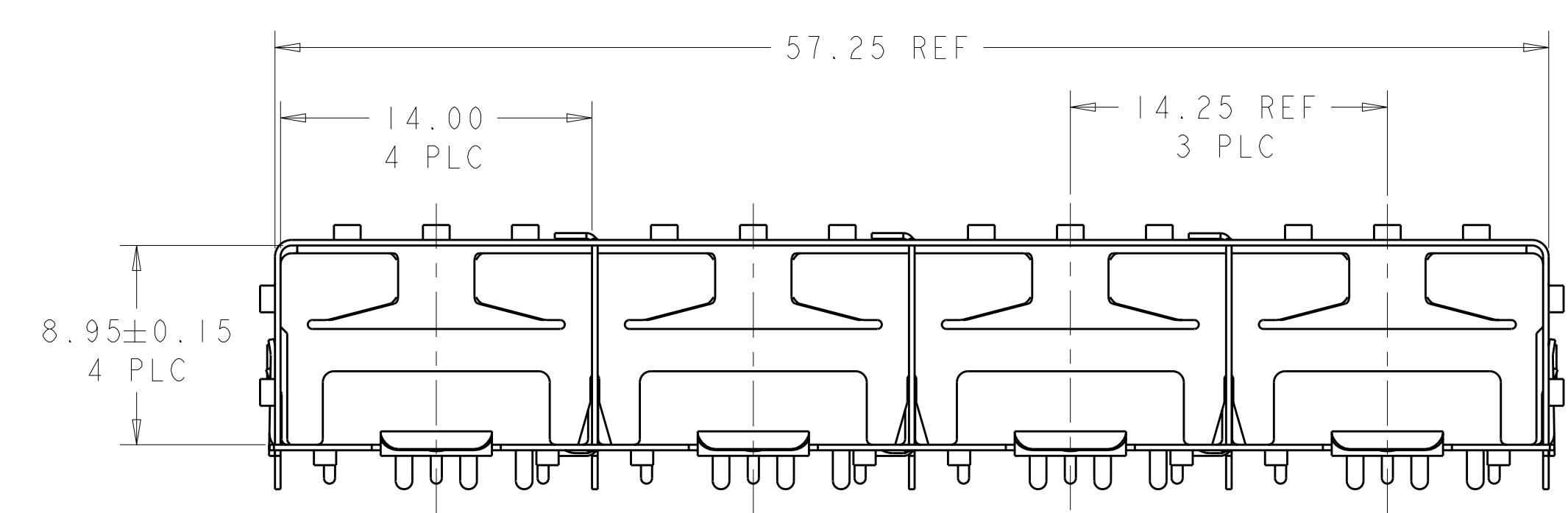
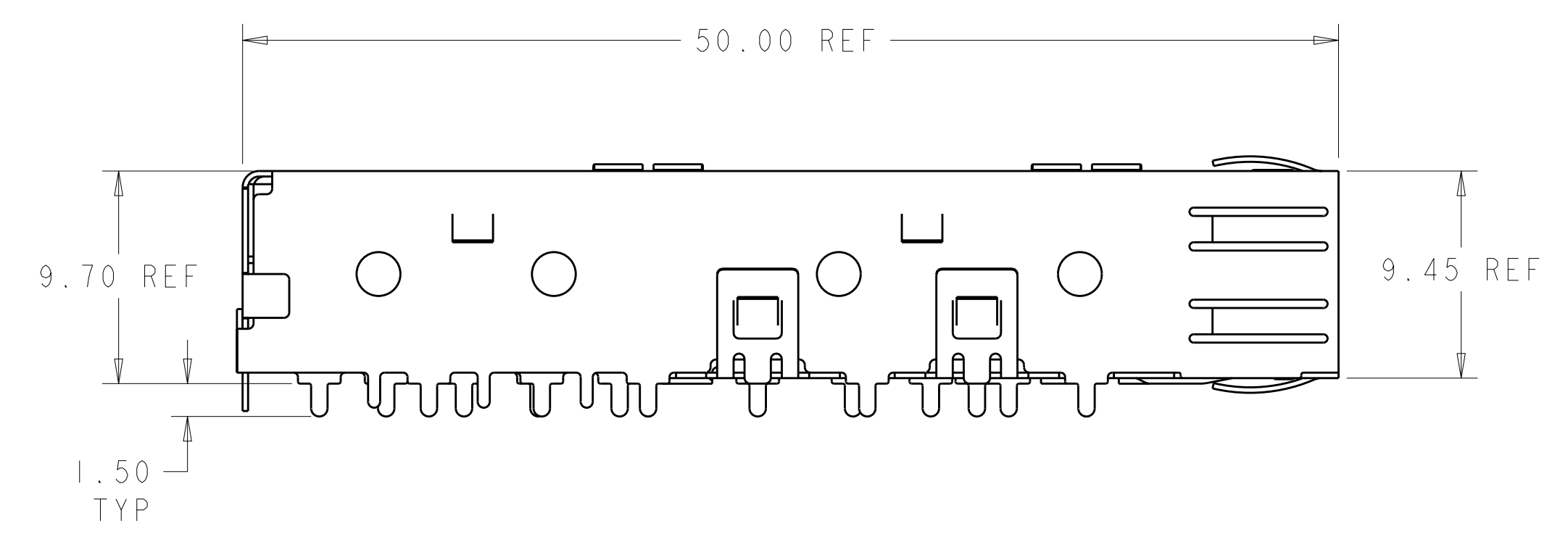
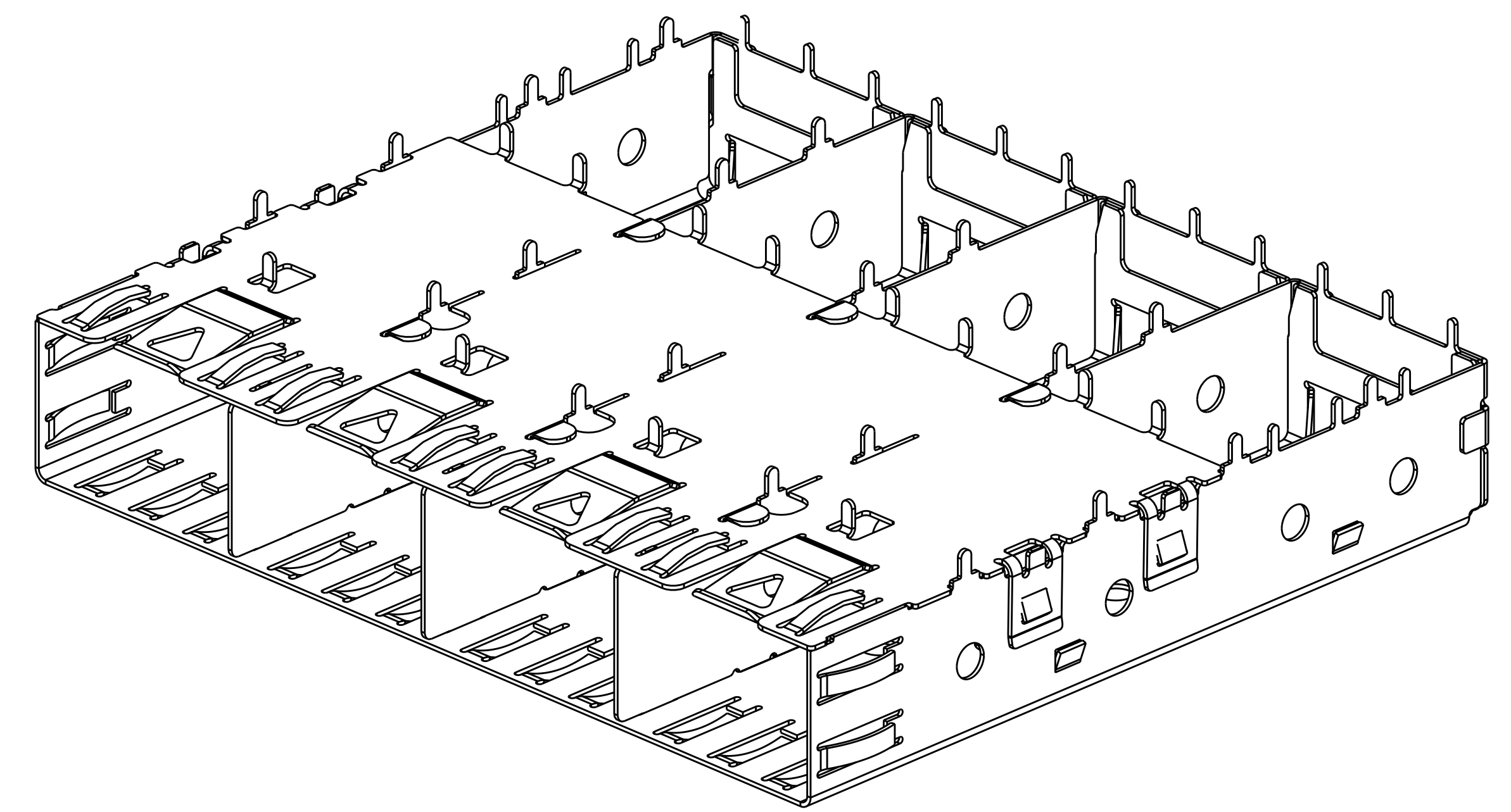
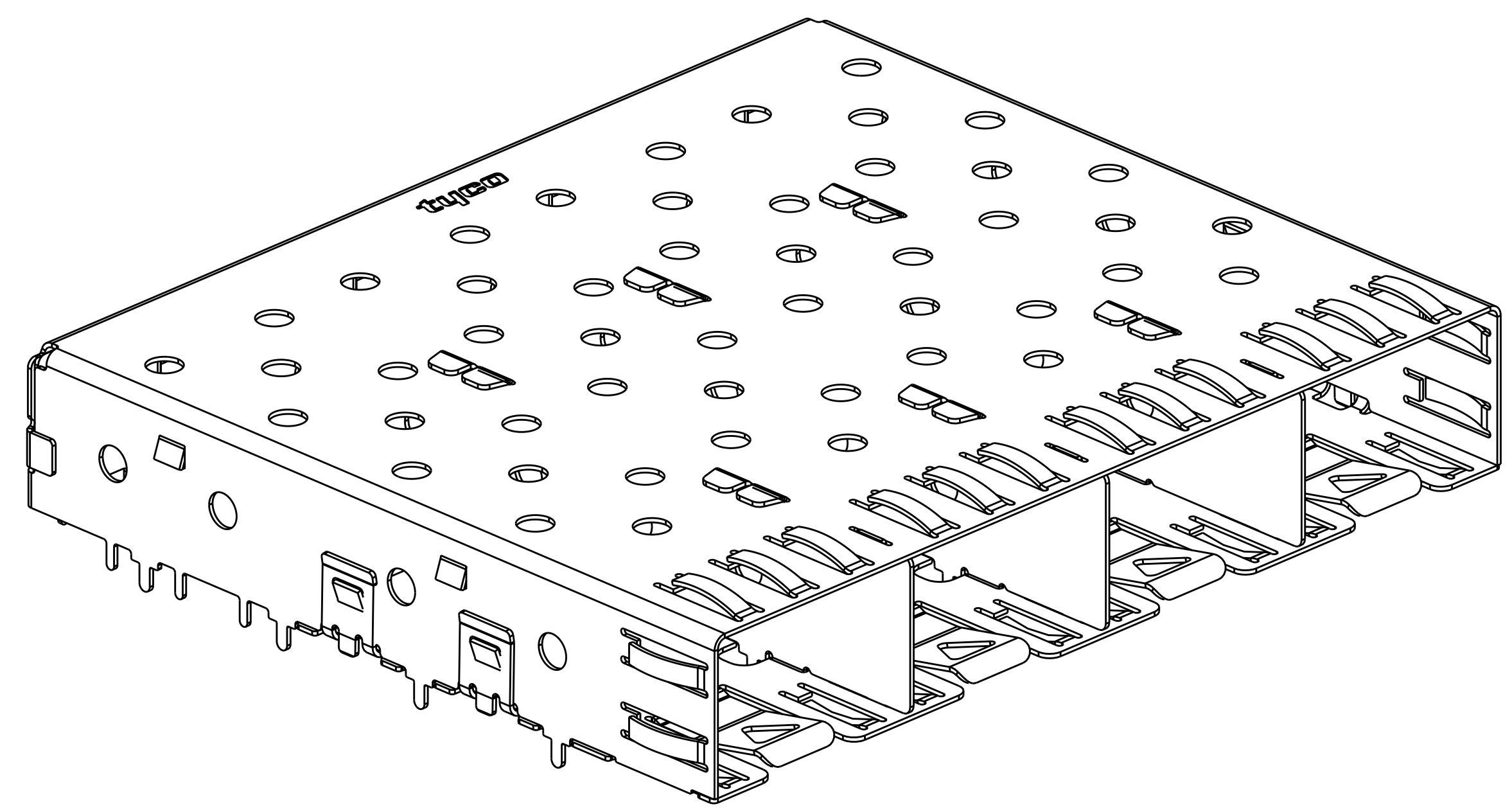


LOC	DIST	REVISIONS			
GP	00	REV	DATE	DWN	APVD
		B	REVISD PER EC 0S13-0253-04	17MAY04	JG JG
		C	REVISD PER ECO-06-006624	23MAR2006	REH JK



- 1 MATERIAL: 0.25 THICK COPPER ALLOY.
- 2 FINISH: 1.25µm MINIMUM TIN PER ASTM B 545 OVER NICKEL FLASH PER QQ-N-290. NONPLATED EDGES PERMISSIBLE.
- 3 PADS AND VIAS CHASSIS GROUND.
- 4 DATUM AND BASIC DIMENSION ESTABLISHED BY CUSTOMER.

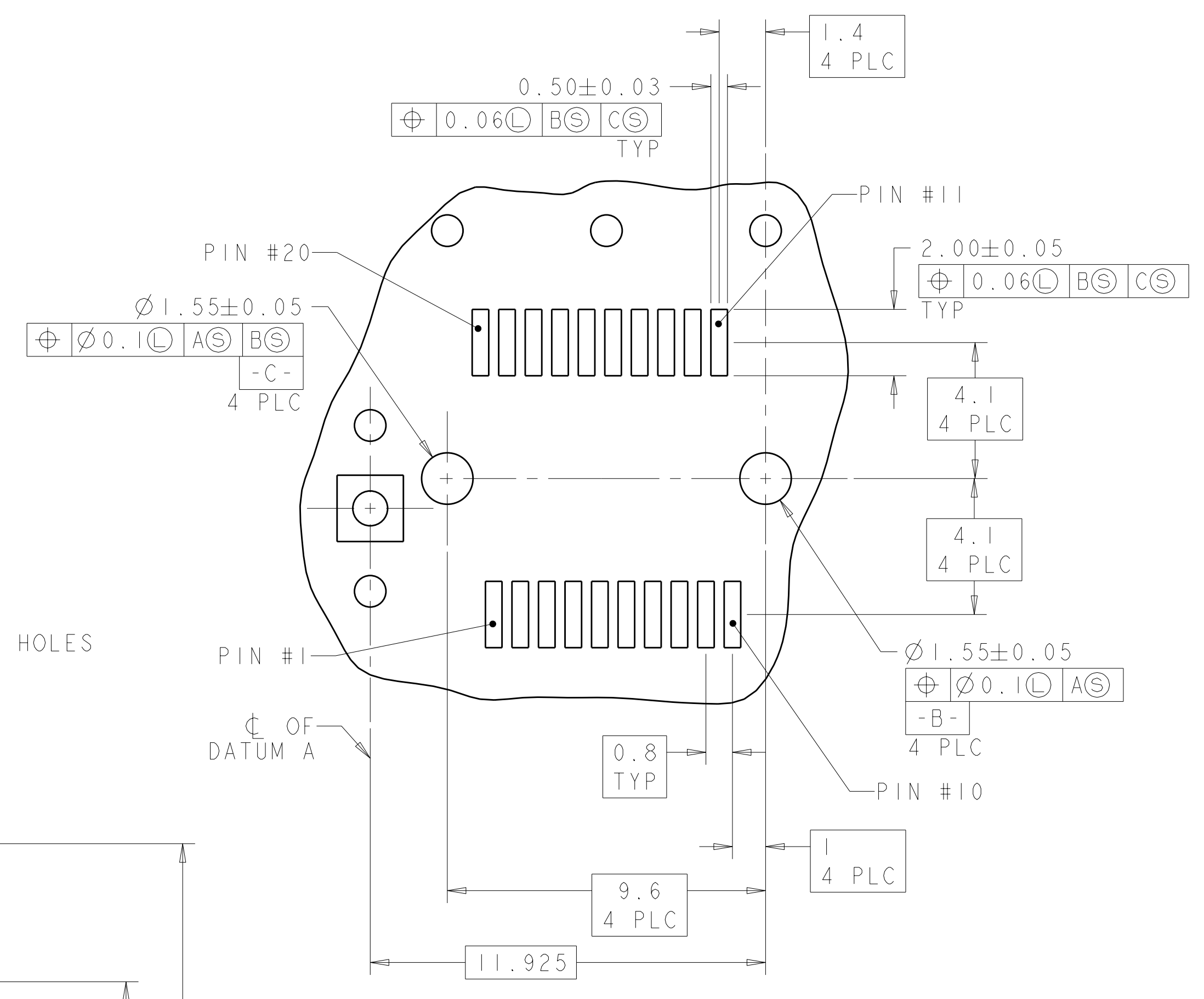
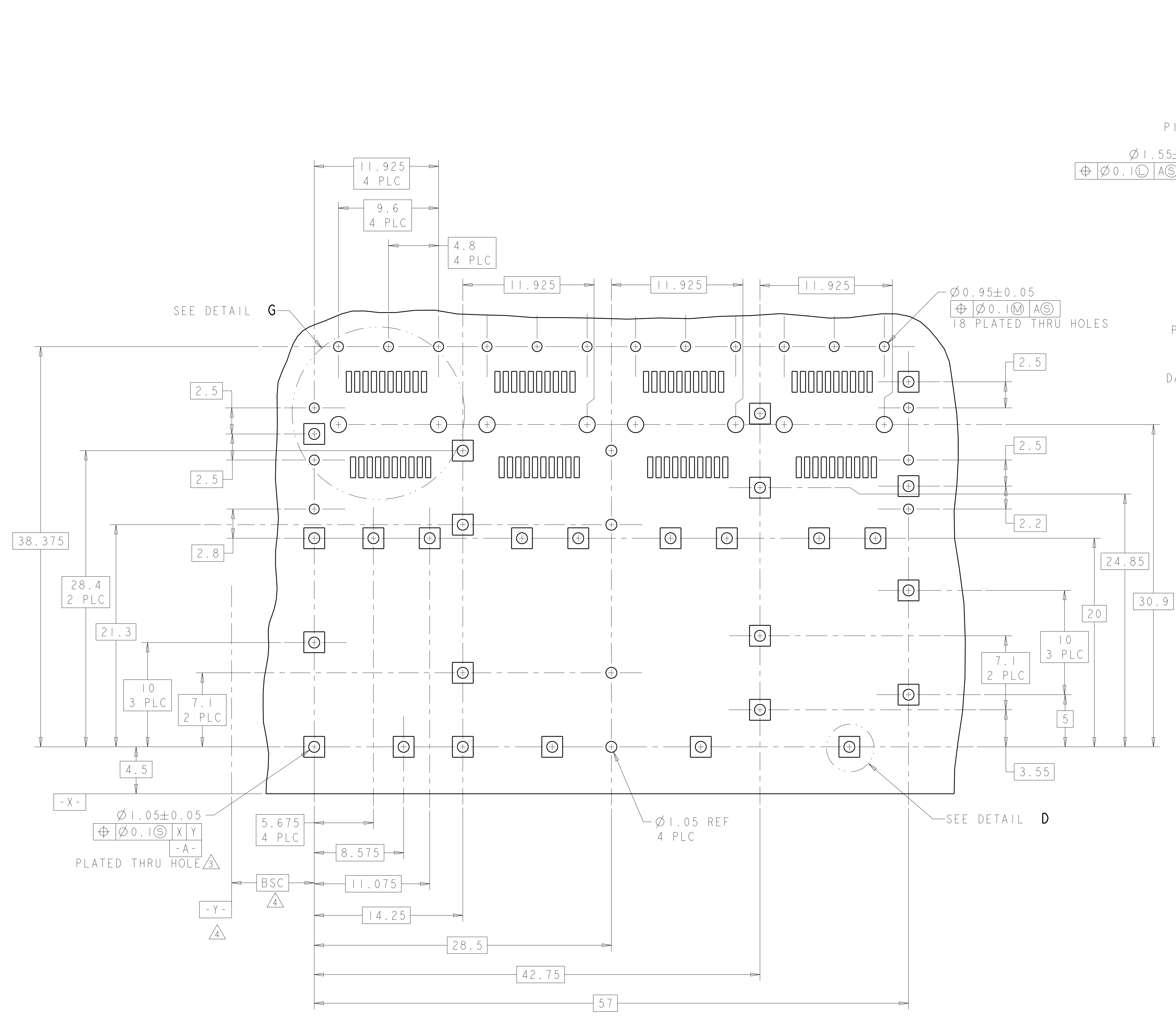
1658723-1  
 PART NUMBER

<small>THIS DRAWING IS UNPUBLISHED. RELEASED FOR PUBLICATION BY TYCO ELECTRONICS CORPORATION. ALL RIGHTS RESERVED.</small>		DWN: M. SHIRK 13MAY03 CHK: J. KOPPENHEFFER 06MAY04 APVD: M. WALMSLEY 06MAY04	<b>tyco</b> Electronics Tyco Electronics Harrisburg, PA 17105-3608
DIMENSIONS: mm 	TOLERANCES UNLESS OTHERWISE SPECIFIED: 0 PLC ± 1 PLC ± 2 PLC ±0.10 3 PLC ± 4 PLC ± ANGLES ±	PRODUCT SPEC: 108-1950 APPLICATION SPEC: 114-13017 WEIGHT:	NAME: CAGE ASSEMBLY, SOLDER LEG, 1X4, SFP SIZE: CAGE CODE DRAWING NO: A11 00779 C=1658723 RESTRICTED TO:
MATERIAL: 1	FINISH: 2	CUSTOMER DRAWING	SCALE: 4:1 SHEET 1 OF 2 REV C

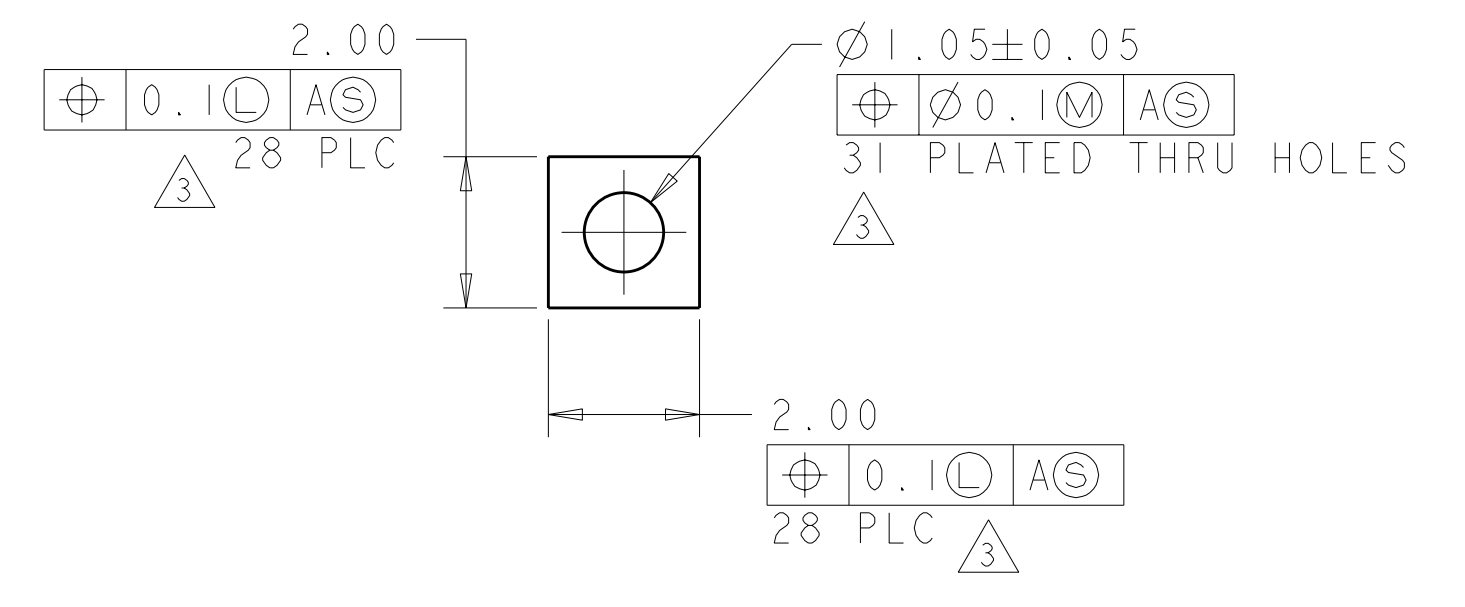
LOC	DIST	REV	DATE	BY	APPD
GP	00				

REVISIONS		DATE	BY	APPD
-	SEE SHEET 1	-	-	-



DETAIL G  
SCALE 8:1



DETAIL D  
SCALE 10:1

RECOMMENDED PCB LAYOUT  
SCALE 5:1

<small>THIS DRAWING IS UNPUBLISHED. RELEASED FOR PUBLICATION. ALL RIGHTS RESERVED. THIS IS SUBJECT TO CHANGE WITHOUT NOTICE. THE USER SHALL BE RESPONSIBLE FOR VERIFYING THE DIMENSIONS AND TOLERANCES OF THE PARTS AND ASSEMBLY. DIMENSIONS ARE IN MILLIMETERS UNLESS OTHERWISE SPECIFIED.</small>		DWN: M. SHIRK 13MAY03 CHK: J. KOPPENHEFFER 06MAY04 APPD: M. WALMSLEY 06MAY04	<b>tyco</b> Electronics Tyco Electronics Harrisburg, PA 17105-3608
DIMENSIONS: mm 	TOLERANCES UNLESS OTHERWISE SPECIFIED: 9 PLC ± 1 PLC ±0.10 5 PLC ± 4 PLC ± ANGLES ±	NAME: CAGE ASSEMBLY, SOLDER LEG, 1X4, SFP PRODUCT SPEC: APPLICATION SPEC: WEIGHT: FINISH:	SIZE: CAGE CODE DRAWING NO. RESTRICTED TO: A1 00779 C=1658723 SCALE: 4:1 SHEET 2 OF 2 REV C
MATERIAL: - FINISH: -		CUSTOMER DRAWING	